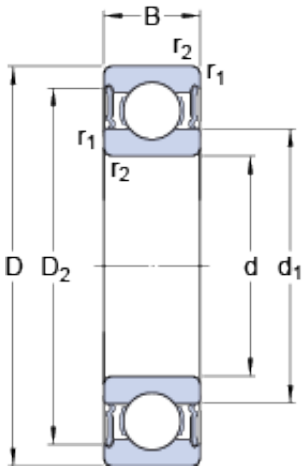




BEARING Driveshaft do Brasil



85 mm x 110 mm x 13 mm J15008CP0 Bearing
150mmx166mmx8mm

Bearing No. 61817-2RS1

61817-2RS1 Bearing 2D drawings and 3D CAD models

Size	110x85x13 mm
Bore Diameter	110 mm
Outer Diameter	85 mm
Width	13 mm
d	85 mm
D	110 mm
B	13 mm
d ₁	93.3 mm
D ₂	104.3 mm
r _{1,2} - min.	1.9 mm
d _a - min.	89.6 mm
d _a - max.	93.1 mm
D _a - max.	105 mm
r _a - max.	1 mm
Basic dynamic load rating - C	19.5 kN
Basic static load rating - C ₀	16.6 kN
Fatigue load limit - P _u	0.88 kN
Limiting speed	3400 r/min
Calculation factor - k _r	0.015
Calculation factor - f ₀	13.5
Category	Single Row Ball Bearings
Inventory	0.0
Manufacturer Name	SKF
Minimum Buy Quantity	N/A



BEARING Driveshaft do Brasil

Weight / Kilogram	0.301
Product Group	B00308
Enclosure	2 Seals
Precision Class	ABEC 1 ISO P0
Maximum Capacity / Filling Slot	No
Rolling Element	Ball Bearing
Snap Ring	No
Internal Special Features	No
Cage Material	Steel
Enclosure Type	Contact Seal
Internal Clearance	C0-Medium
Inch - Metric	Metric
Long Description	85MM Bore; 110MM Outside Diameter; 13MM Outer Race Diameter; 2 Seals; Ball Bearing; ABEC 1 ISO P0; No Filling Slot; No Snap Ring; No Internal Special Features
Category	Single Row Ball Bearing
UNSPSC	31171504
Harmonized Tariff Code	8482.10.50.68
Noun	Bearing
Keyword String	Ball
Manufacturer URL	http://www.skf.com
Manufacturer Item Number	61817 2RS1
Weight / LBS	0.66
Outside Diameter	4.331 Inch 110 Millimeter
Outer Race Width	0.512 Inch 13 Millimeter
Bore	3.346 Inch 85 Millimeter
bore diameter:	85 mm
static load capacity:	20.8 kN
outside diameter:	110 mm



BEARING Driveshaft do Brasil

precision rating:	Not Rated
overall width:	13 mm
finish/coating:	Uncoated
bore type:	Round
cage material:	Steel
closure type:	Double Sealed
outer ring width:	13 mm
row type & fill slot:	Single Row Non-Fill Slot
fillet radius:	1 mm
internal clearance:	C0
maximum rpm:	3400 RPM
operating temperature range:	-40 to +210 ° F
series:	61
dynamic load capacity:	19.5 kN
d_1	93.3 mm
D_2	104.3 mm
$r_{1,2}$ min.	1.9 mm
d_a min.	89.6 mm
d_a max.	93.1 mm
D_a max.	105 mm
r_a max.	1 mm
Basic dynamic load rating C	19.5 kN
Basic static load rating C_0	16.6 kN
Fatigue load limit P_u	0.88 kN
Calculation factor k_r	0.015
Calculation factor f_0	13.5
Mass bearing	0.28 kg