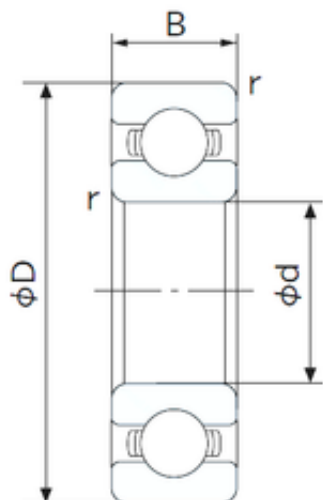




BEARING Driveshaft do Brasil



20 mm x 47 mm x 14 mm TAB-090190-202
228.6X482.6X241.3 Two Stage Cylindrical Roller
Thrust Bearings

Bearing No. 6204

6204 Bearing 2D drawings and 3D CAD models

Size	20x47x14 mm
Bore Diameter	20 mm
Outer Diameter	47 mm
Width	14 mm
d	20 mm
D	47 mm
B	14 mm
C	14 mm
r min.	1 mm
da min.	26 mm
Da max.	41 mm
ra max.	1.0 mm
Weight	0.106 Kg
Basic dynamic load rating (C)	12,8 kN
Basic static load rating (C0)	6,6 kN
(Grease) Lubrication Speed	14000 r/min
Category	Single Row Ball Bearings
Inventory	0.0
Manufacturer Name	NACHI
Minimum Buy Quantity	N/A
Weight / Kilogram	0
Product Group	B00308
Enclosure	Open
Precision Class	ABEC 1 ISO P0



BEARING Driveshaft do Brasil

Maximum Capacity / Filling Slot	No
Rolling Element	Ball Bearing
Snap Ring	No
Internal Special Features	No
Cage Material	Steel
Internal Clearance	C0-Medium
Inch - Metric	Metric
Long Description	20MM Bore; 47MM Outside Diameter; 14MM Outer Race Width; Open; Ball Bearing; ABEC 1 ISO P0; No Filling Slot; No Snap Ring; No Internal Special Features; C0-Medium Internal Clearance; Steel Cage
Other Features	Deep Groove
Category	Single Row Ball Bearing
UNSPSC	31171504
Harmonized Tariff Code	8482.10.50.68
Noun	Bearing
Keyword String	Ball
Manufacturer URL	http://www.nachiamerica.com
Weight / LBS	0.234
Outside Diameter	1.85 Inch 47 Millimeter
Inner Race Width	0 Inch 0 Millimeter
Outer Race Width	0.551 Inch 14 Millimeter
Bore	0.787 Inch 20 Millimeter
Bore Type	Cylindrical Bore
Configuration	Single Row
Bore Size	20 mm
Width	14 mm
Fillet Radius/Chamfer	1 mm



BEARING Driveshaft do Brasil

Dynamic Load Rating	12,800 N
Static Load Rating	6,600 N
Limiting Speed - Grease	16,000 rpm
Limiting Speed - Oil	18,000 rpm
Factor f_0	13.1
Radial Clearance	0.005 to 0.020 mm
da (min)	26 mm
Da (max)	41 mm
ra (max)	1 mm